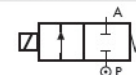


2/2 WAY DIRECT ACTING SOLENOID VALVE, G 1/8"

COMMON FEATURES

Body material: stainless steel (1.4305 EN 10088/AISI 303)
 Orifice material: stainless steel (1.4305 EN 10088/AISI 303)
 Operator material: stainless steel
 Protection class: IP 65 (with connector and gasket)

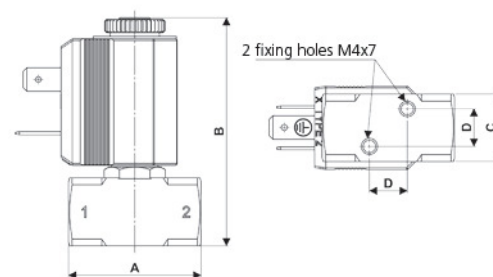
TYPE: B298



Normally Closed



DIMENSIONS & WEIGHTS		B298
G connection	[ISO 228]	1/8"
A	[mm]	35
B	[mm]	60.6
C	[mm]	18
D	[mm]	10
weight	[kg]	0.1



Flow direction overseat 1 → 2

VALVE	nominal Ø	flow rate Kvs	OPD			COILS	
			min.	max. AC	max. DC	code	[Volts/Hz]
code	[mm]	[l/min]	[barg]	[barg]	[barg]	code	[Volts/Hz]
B298DVC	1.5	1.3	0	22	18	2250	24v DC
B298DVE	2.0	1.9	0	18	8	2200	24v 50/60Hz
B298DVG	2.5	2.7	0	13	2.5	2400	110v 50Hz - 120v 60Hz
B298DVH	3.0	3.5	0	8	1	2600	200v 50Hz - 220v 60Hz
						2700	230v 50Hz - 240v 60Hz

B298 - FKM seal, NC -

Media: water, oil, air and aggressive fluids
 Media temperature: -10°C ÷ +130°C
 Ambient temperature: -10°C ÷ +50°C
 Seal material: foodgrade FKM
 Coil power: AC 10va (holding)
 AC 16va (inrush)
 DC 7w

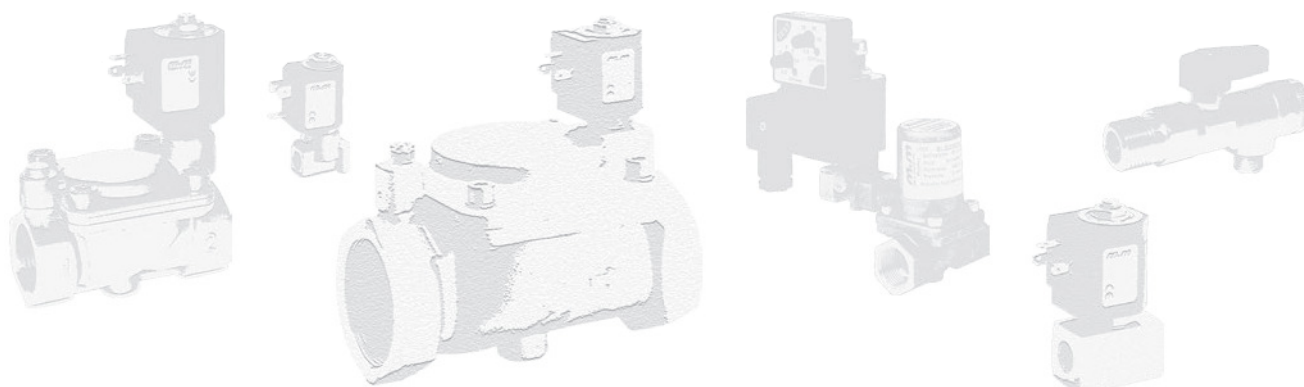
VALVE	nominal Ø	flow rate Kvs	OPD			COILS	
			min.	max. AC	max. DC	code	[Volts/Hz]
code	[mm]	[l/min]	[barg]	[barg]	[barg]	code	[Volts/Hz]
B298DKC	1.5	1.3	0	24	24	2250	24v DC
B298DKE	2.0	1.9	0	18	15	2200	24v 50/60Hz
B298DKG	2.5	2.7	0	15	3	2400	110v 50Hz - 120v 60Hz
						2600	200v 50Hz - 220v 60Hz
						2700	230v 50Hz - 240v 60Hz

B298 - KALREZ® seal, NC -

Media: chemicals
 Media temperature: -10°C ÷ +130°C
 Ambient temperature: -10°C ÷ +50°C
 Seal material: Kalrez® Spectrum™ 6375
 Coil power: AC 10va (holding)
 AC 16va (inrush)
 DC 7w

OPTIONS

Protective treatment (e.g. code B298DKCF)



2/2 WAY DIRECT ACTING SOLENOID VALVE, G 1/8" - G 1/4"

COMMON FEATURES

Body material: stainless steel (1.4305 EN 10088/AISI 303)

Orifice material: stainless steel (1.4305 EN 10088/AISI 303)

Operator material: stainless steel

Protection class: IP 65 (with connector and gasket)

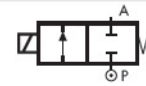
OPTIONS

Available with body thread connection 1/8" (e.g. code D298DVC), performance ratings remain the same as D299DVC.

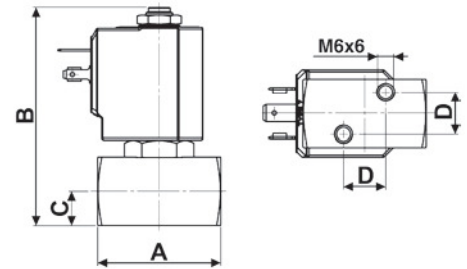
Silver shading ring (e.g. code D299DVCΔ)

NPT connection on request, minimum batch may be required (e.g. code D299DVCN)

TYPE: D298/299



Normally Closed



Flow direction overseat 1 → 2

DIMENSIONS & WEIGHTS		D298	D299
G connection	[ISO 228]	1/8"	1/4"
A	[mm]	45	45
B	[mm]	80	80
C	[mm]	12.5	12.5
D	[mm]	15.4	15.4
weight	[kg]	0.36	0.36

VALVE	nominal Ø	flow rate Kvs	OPD			COILS	
			min.	max. AC	max. DC	code	[Volts/Hz]
code	[mm]	[l/min]	[barg]	[barg]	[barg]	code	[Volts/Hz]
D299DVC	1.5	1.2	0	24	24	7250	24v DC
D299DVG	2.5	3.3	0	18	18	7200	24v 50/60Hz
D299DVH	3.0	4.5	0	15	10	7400	110v 50Hz - 120v 60Hz
D299DVL	4.0	6.0	0	10	5.5	7600	200v 50Hz - 220v 60Hz
D299DVN	5.0	7.5	0	5	2.5	7700	230v 50Hz - 240v 60Hz

D298/299 - FKM seal, NC -

Media: water, oil, air and aggressive fluids

Media temperature: -10°C ÷ +130°C

Ambient temperature: -10°C ÷ +50°C

Seal material: foodgrade FKM

Coil power: AC 18va (holding)

AC 36va (inrush)

DC 14w

OPTIONS

EPDM seal, temperature max. 120°C (e.g. code D298DEH)

ATEX version see page 37

VALVE	nominal Ø	flow rate Kvs	OPD			COILS	
			min.	max. AC	max. DC	code	[Volts/Hz]
code	[mm]	[l/min]	[barg]	[barg]	[barg]	code	[Volts/Hz]
D299DKE	2.0	2.3	0	20	20	7250	24v DC
D299DKG	2.5	3.3	0	18	16	7200	24v 50/60Hz
D299DKH	3.0	4.5	0	15	8	7400	110v 50Hz - 120v 60Hz
						7600	200v 50Hz - 220v 60Hz
						7700	230v 50Hz - 240v 60Hz

D298/299 - KALREZ® seal, NC -

Media: chemicals

Media temperature: -10°C ÷ +130°C

Ambient temperature: -10°C ÷ +50°C

Seal material: Kalrez® Spectrum™ 6375

Coil power: AC 18va (holding)

AC 36va (inrush)

DC 14w

OPTIONS

Protective treatment (e.g. code D299DKEF)

VALVE	nominal Ø	flow rate Kvs	OPD			COILS	
			min.	max. AC	max. DC	code	[Volts/Hz]
code	[mm]	[l/min]	[barg]	[barg]	[barg]	code	[Volts/Hz]
D299DRB1	1.2	0.7	0	200	110	7221	24v DC
D299DRC1	1.5	1.2	0	200	80	72K1	24v 50/60Hz
D299DRE1	2.0	2.3	0	140	30	74K1	110v 50Hz - 120v 60Hz
D299DRG1	2.5	3.3	0	90	23	77K1	230v 50Hz - 240v 60Hz
D299DRH1	3.0	4.5	0	50	14		

D298/299 - RUBY seal, NC -

Media: water, oil, air and aggressive fluids

Media temperature: -10°C ÷ +130°C

Ambient temperature: -10°C ÷ +50°C

Seal material: Ruby

Coil power: AC 25va (holding)

AC 50va (inrush)

DC 22w

NOTES

Seamless tube as standard

① Not 100% leak-proof when used with air/gases.

Approximate leak rate is 1,5 ml/min at max. OPD.

ATTENTION: When high pressure valves are supplied without a coil, their nameplates display the max. OPD of the valve when equipped with an AC (25va) and DC (22w) coil (as shown in the table above). When using alternative coil power ratings please ensure to request separately the appropriate nameplate at time of order.

2/2 WAY DIRECT ACTING SOLENOID VALVE, G 1/8" - G 1/4"

COMMON FEATURES

Body material: stainless steel (1.4305 EN 10088/AISI 303)
 Orifice material: stainless steel (1.4305 EN 10088/AISI 303)
 Operator material: stainless steel
 Protection class: IP 65 (with connector and gasket)

OPTIONS

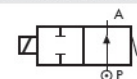
Available with body thread connection 1/8" (e.g. code RD298DVA), performance ratings remain the same as RD299DVA
 Silver shading ring (e.g. code RD299DVCA)

NPT connection on request, minimum batch may be required (e.g. code RD298DVG_N)

NOTES

Normally open version not available for orifice > Ø 3 mm
 Protective treatment of operators is recommended, minimum batch may be required

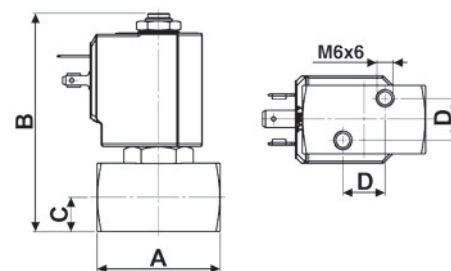
TYPE: RD298/299



Normally Open



DIMENSIONS & WEIGHTS		RD298	RD299
G connection	[ISO 228]	1/8"	1/4"
A	[mm]	45	45
B	[mm]	77.5	77.5
C	[mm]	12.5	12.5
D	[mm]	15.4	15.4
weight	[kg]	0.36	0.36



Flow direction overseat 1 → 2

VALVE	nominal Ø	flow rate Kvs	OPD			COILS class 'H' only	
			min.	max. AC	max. DC	code	[Volts/Hz]
code	[mm]	[l/min]	[barg]	[barg]	[barg]	code	[Volts/Hz]
RD299DVA	1.0	0.6	0	30	30	7251	24v DC
RD299DVG	2.5	3.3	0	14	14	7201	24v 50/60Hz
RD299DVH	3.0	4.5	0	9	9	7401	110v 50Hz - 120v 60Hz
						7601	200v 50Hz - 220v 60Hz
						7701	230v 50Hz - 240v 60Hz

RD298/299 - FKM seal, NO -

Media: water, oil, air and aggressive fluids
 Media temperature: -10°C ÷ +130°C
 Ambient temperature: -10°C ÷ +50°C
 Seal material: foodgrade FKM
 Coil power: AC 18va (holding)
 AC 36va (inrush)
 DC 14w

OPTIONS

EPDM seal, temperature max. 120°C (e.g. code RD299DEG)

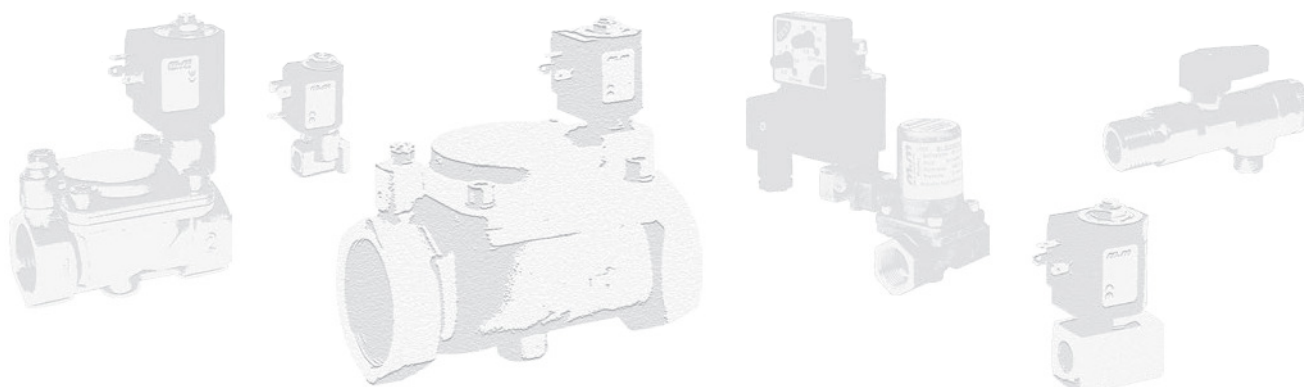
VALVE	nominal Ø	flow rate Kvs	OPD			COILS class 'H' only	
			min.	max. AC	max. DC	code	[Volts/Hz]
code	[mm]	[l/min]	[barg]	[barg]	[barg]	code	[Volts/Hz]
RD299DRA	1.0	0.6	0	100	100	7251	24v DC
RD299DRB	1.2	0.7	0	85	85	7201	24v 50/60Hz
RD299DRC	1.5	1.2	0	55	55	7401	110v 50Hz - 120v 60Hz
RD299DRE	2.0	2.3	0	25	25	7601	200v 50Hz - 220v 60Hz
RD299DRG	2.5	3.3	0	19	19	7701	230v 50Hz - 240v 60Hz
RD299DRH	3.0	4.5	0	10	10		

RD298/299 - RUBY seal, NO -

Media[Ⓢ]: water and liquids
 Media temperature: -10°C ÷ +130°C
 Ambient temperature: -10°C ÷ +50°C
 Seal material: Ruby
 Coil power: AC 18va (holding)
 AC 36va (inrush)
 DC 14w

NOTES

Ⓢ Not 100% leak-proof when used with air/gases.
 Approximate leak rate is 1,5 ml/min at max. OPD.



2/2 WAY DIRECT ACTING SOLENOID VALVE, G 1/8"

COMMON FEATURES

Media^①: water, oil, air
 Media temperature: -10°C ÷ +130°C
 Ambient temperature: -10°C ÷ +50°C
 Body material: brass (CW719R EN 12165) low lead content
 Orifice material: stainless steel (1.4305 EN 10088/AISI 303)
 Operator material: stainless steel
 Seal material: foodgrade FKM
 Protection class: IP 65 (with connector and gasket)

OPTIONS

EPDM seal, temperature max. 120°C (e.g. code RB297DEC)
 NPT connection on request, minimum batch may be required (e.g. code RB297DVCN)

NOTES

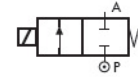
^① Valve suitable for contact with food media as per the EEC Directives and Regulations. For more specific information, please contact M&M Sales Department.

DIMENSIONS & WEIGHTS		B297	RB297
G connection	[ISO 228]	1/8"	1/8"
A	[mm]	30	30
B	[mm]	65	67.5
C	[mm]	18	18
D	[mm]	7	7
weight	[kg]	0.15	0.15

VALVE	nominal Ø	flow rate Kvs	OPD			COILS	
			min.	max. AC	max. DC	code	[Volts/Hz]
code	[mm]	[l/min]	[barg]	[barg]	[barg]	code	[Volts/Hz]
B297DVA	1.0	0.5	0	30	28	2250	24v DC
B297DVB	1.2	0.7	0	25	22	2200	24v 50/60Hz
B297DVC	1.5	1.0	0	22	18	2400	110v 50Hz - 120v 60Hz
B297DVE	2.0	1.7	0	18	9	2600	200v 50Hz - 220v 60Hz
B297DVG	2.5	2.3	0	13	3	2700	230v 50Hz - 240v 60Hz
B297DVH	3.0	3.0	0	8	1		

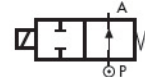
VALVE	nominal Ø	flow rate Kvs	OPD			COILS	
			min.	max. AC	max. DC	code	[Volts/Hz]
code	[mm]	[l/min]	[barg]	[barg]	[barg]	code	[Volts/Hz]
RB297DVA	1.0	0.5	0	25	25	2250	24v DC
RB297DVB	1.2	0.7	0	20	20	2200	24v 50/60Hz
RB297DVC	1.5	1.0	0	15	15	2400	110v 50Hz - 120v 60Hz
RB297DVE	2.0	1.7	0	10	10	2600	200v 50Hz - 220v 60Hz
RB297DVG	2.5	2.3	0	5	5	2700	230v 50Hz - 240v 60Hz
RB297DVH	3.0	3.0	0	4.5	4.5		

TYPE: B297

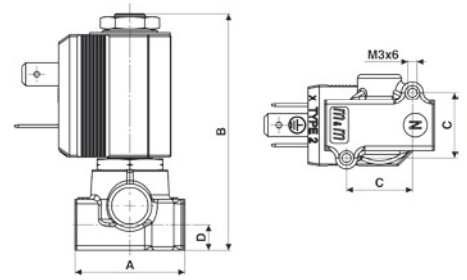


Normally Closed

TYPE: RB297



Normally Open



Flow direction overseat 1 → 2

B297 - FKM seal, NC -

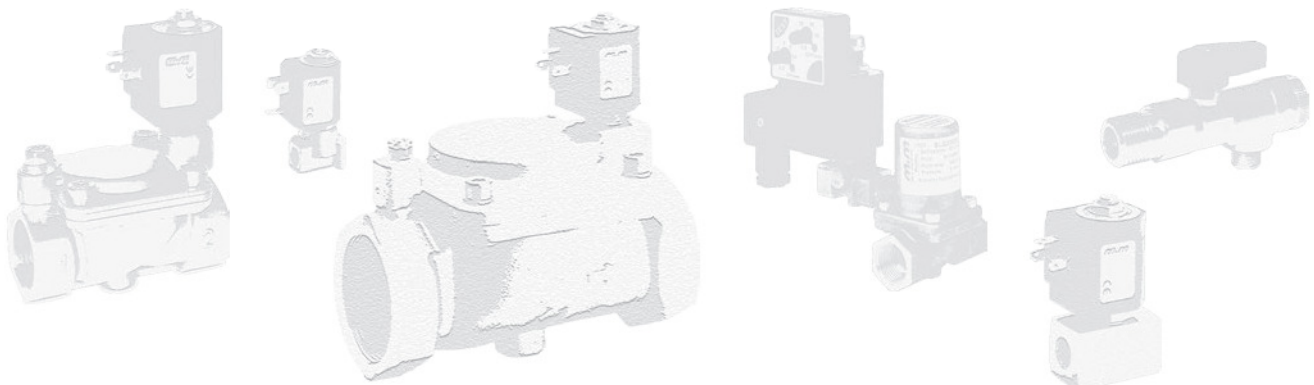
Coil power: AC 10va (holding)
 AC 16va (inrush)
 DC 7w

OPTIONS

Manual override (e.g. code B297DVCN)
 Electroless nickel plating treatment (e.g. code B297DVEK)

RB297 - FKM seal, NO -

Coil power: AC 10va (holding)
 AC 16va (inrush)
 DC 7w



2/2 WAY DIRECT ACTING SOLENOID VALVE, G 1/8" - G 1/4"

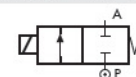
COMMON FEATURES

Body material: brass (CW617N EN 12165)
 Orifice material: stainless steel (1.4305 EN 10088/AISI 303)
 Operator material: stainless steel
 Protection class: IP 65 (with connector and gasket)

OPTIONS

Available with body thread connection 1/8" (e.g. code D262DVH), performance ratings remain the same as D263DVH.
Manual override (e.g. code D262DVCM).

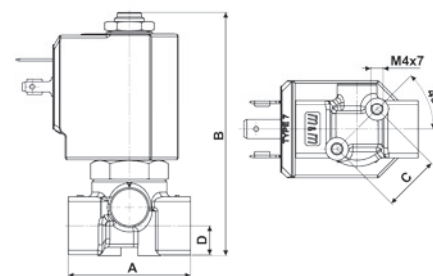
TYPE: D262/263



Normally Closed



DIMENSIONS & WEIGHTS		D262	D263
G connection	[ISO 228]	1/8"	1/4"
A	[mm]	40	40
B	[mm]	77.5	77.5
C	[mm]	18.5	18.5
D	[mm]	9.5	9.5
weight	[kg]	0.26	0.26



Flow direction overseat 1 → 2

VALVE	nominal Ø	flow rate Kvs	OPD			COILS	
			min.	max. AC	max. DC	code	[Volts/Hz]
code	[mm]	[l/min]	[barg]	[barg]	[barg]	code	[Volts/Hz]
D263DVA	1.0	0.5	0	30	30	7250	24v DC
D263DVC	1.5	1.3	0	24	24	7200	24v 50/60Hz
D263DVG	2.5	3.4	0	18	16	7400	110v 50Hz - 120v 60Hz
D263DVH	3.0	4.5	0	15	10	7600	200v 50Hz - 220v 60Hz
D263DVL ^①	4.0	6.0	0	10	5	7700	230v 50Hz - 240v 60Hz
D263DVN ^①	5.0	7.5	0	5	2,5		
D263DVP ^①	6.0	8.0	0	3	1		

① Manual override not available for orifice > Ø 3 mm

D262/263 - FKM seal, NC -

Media: water, oil, air
 Media temperature: -10°C ÷ +130°C
 Ambient temperature: -10°C ÷ +50°C
 Seal material: foodgrade FKM
 Coil power: AC 18va (holding)
 AC 36va (inrush)
 DC 14w

OPTIONS

EPDM seal, temperature max. 120°C (e.g. code D262DEH)
 For vacuum see page 36
 ATEX version see page 37

VALVE	nominal Ø	flow rate Kvs	OPD			COILS	
			min.	max. AC	max. DC	code	[Volts/Hz]
code	[mm]	[l/min]	[barg]	[barg]	[barg]	code	[Volts/Hz]
D263DLA	1.0	0.5	0	9	9	7251	24v DC
D263DLC	1.5	1.3	0	9	9	7201	24v 50/60Hz
D263DLG	2.5	3.4	0	9	8	7401	110v 50Hz - 120v 60Hz
D263DLH	3.0	4.5	0	9	5	7601	200v 50Hz - 220v 60Hz
						7701	230v 50Hz - 240v 60Hz

D262/263 - FILLED PTFE seal, NC -

Media: steam
 Media temperature: -10°C ÷ +180°C
 Ambient temperature: -10°C ÷ +70°C
 Seal material: Sigodur (filled PTFE)
 Coil power: AC 18va (holding)
 AC 36va (inrush)
 DC 14w

NOTES

Seamless tube as standard

VALVE	nominal Ø	flow rate Kvs	OPD			COILS	
			min.	max. AC	max. DC	code	[Volts/Hz]
code	[mm]	[l/min]	[barg]	[barg]	[barg]	code	[Volts/Hz]
D263DRB1	1.2	0.7	0	200	60	7221	24v DC
D263DRC1	1.5	1.3	0	200	35	72K1	24v 50/60Hz
D263DRE1	2.0	2.2	0	120	25	74K1	110v 50Hz - 120v 60Hz
D263DRH1	3.0	4.5	0	50	11	77K1	230v 50Hz - 240v 60Hz

D262/263 - RUBY seal, NC -

Media[Ⓜ]: water, oil, liquids
 Media temperature: -10°C ÷ +130°C
 Ambient temperature: -10°C ÷ +50°C
 Seal material: Ruby
 Coil power: AC 25va (holding)
 AC 50va (inrush)
 DC 22w

NOTES

Seamless tube as standard

Ⓜ Not 100% leak-proof when used with air/gases. Approximate leak rate is 1,5 ml/min at max. OPD.

ATTENTION: When high pressure valves are supplied without a coil, their nameplates display the max. OPD of the valve when equipped with an AC (25va) and DC (22w) coil (as shown in the table above).
 When using alternative coil power ratings please ensure to request separately the appropriate nameplate at time of order.

2/2 WAY DIRECT ACTING SOLENOID VALVE, G 1/8" - G 1/4"

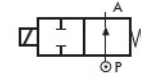
COMMON FEATURES

Body material: brass (CW617N EN 12165)
 Orifice material: stainless steel (1.4305 EN 10088/AISI 303)
 Operator material: stainless steel
 Protection class: IP 65 (with connector and gasket)

OPTIONS

Available with body thread connection 1/8" (e.g. code RD262DVA), performance ratings remain the same as RD263DVA.
 For steam version with filled PTFE seal (Sigodur) see valve model **RD236DL**- on page 17
 For high pressure version with Ruby seal see valve model **RD236DR-1** on page 17

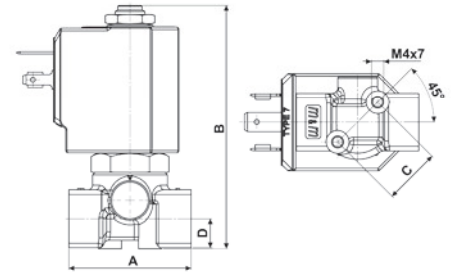
TYPE: RD262/263



Normally Open



DIMENSIONS & WEIGHTS		RD262	RD263
G connection	[ISO 228]	1/8"	1/4"
A	[mm]	40	40
B	[mm]	77.7	77.7
C	[mm]	18.5	18.5
D	[mm]	9.5	9.5
weight	[kg]	0.26	0.26



Flow direction overseat 1 → 2

VALVE	nominal Ø	flow rate Kvs	OPD			COILS	
			min.	max. AC	max. DC	class 'H' only	
code	[mm]	[l/min]	[barg]	[barg]	[barg]	code	[Volts/Hz]
RD263DVA	1.0	0.5	0	30	30	7251	24v DC
RD263DVC	1.5	1.3	0	24	24	7201	24v 50/60Hz
RD263DVG	2.5	3.4	0	16	16	7401	110v 50Hz - 120v 60Hz
RD263DVH	3.0	4.5	0	10	10	7601	200v 50Hz - 220v 60Hz
						7701	230v 50Hz - 240v 60Hz

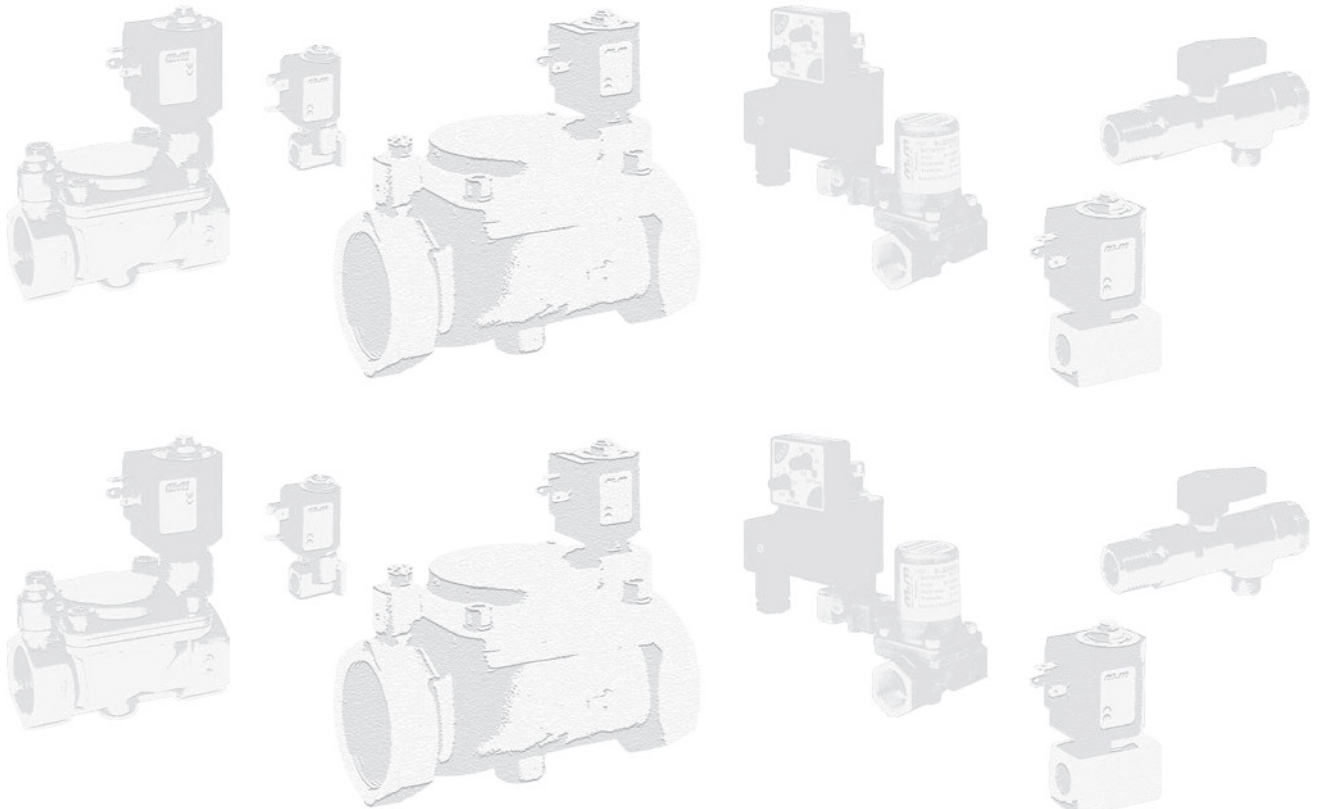
RD262/263 - FKM seal, NO -

Media: water, oil, air
 Media temperature: -10°C ÷ +130°C
 Ambient temperature: -10°C ÷ +50°C
 Seal material: foodgrade FKM
 Coil power: AC 18vA (holding)
 AC 36vA (inrush)
 DC 14w

OPTIONS

EPDM seal, temperature max. 120°C (e.g. code RD262DEH)

GENERAL PURPOSE

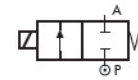


2/2 WAY DIRECT ACTING SOLENOID VALVE, G 1/4"

COMMON FEATURES

Media: water, oil, air
 Media temperature: -10°C ÷ +130°C
 Ambient temperature: -10°C ÷ +50°C
 Body material: brass (CW617N EN 12165)
 Operator material: stainless steel
 Protection class: IP 65 (with connector and gasket)

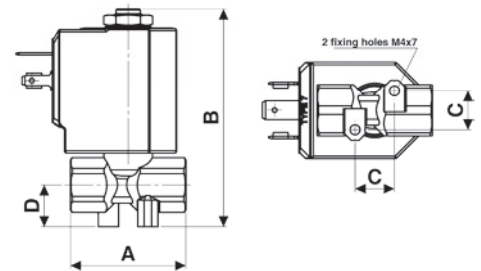
TYPE: D249



Normally Closed



DIMENSIONS & WEIGHTS		D249
G connection	[ISO 228]	1/4"
A	[mm]	38
B	[mm]	72.1
C	[mm]	13
D	[mm]	13.8
weight	[kg]	0.18



Flow direction overseat 1 → 2

VALVE	nominal Ø	flow rate Kvs	OPD			COILS	
			min.	max. AC	max. DC	code	[Volts/Hz]
code	[mm]	[l/min]	[barg]	[barg]	[barg]	code	[Volts/Hz]
D249DVD	1.7	1.5	0	25	24	7250	24v DC
D249DVF	2.2	2.4	0	18	16	7200	24v 50/60Hz
D249DVH *	3.0	4.5	0	15	10	7400	110v 50Hz - 120v 60Hz
						7600	200v 50Hz - 220v 60Hz
						7700	230v 50Hz - 240v 60Hz

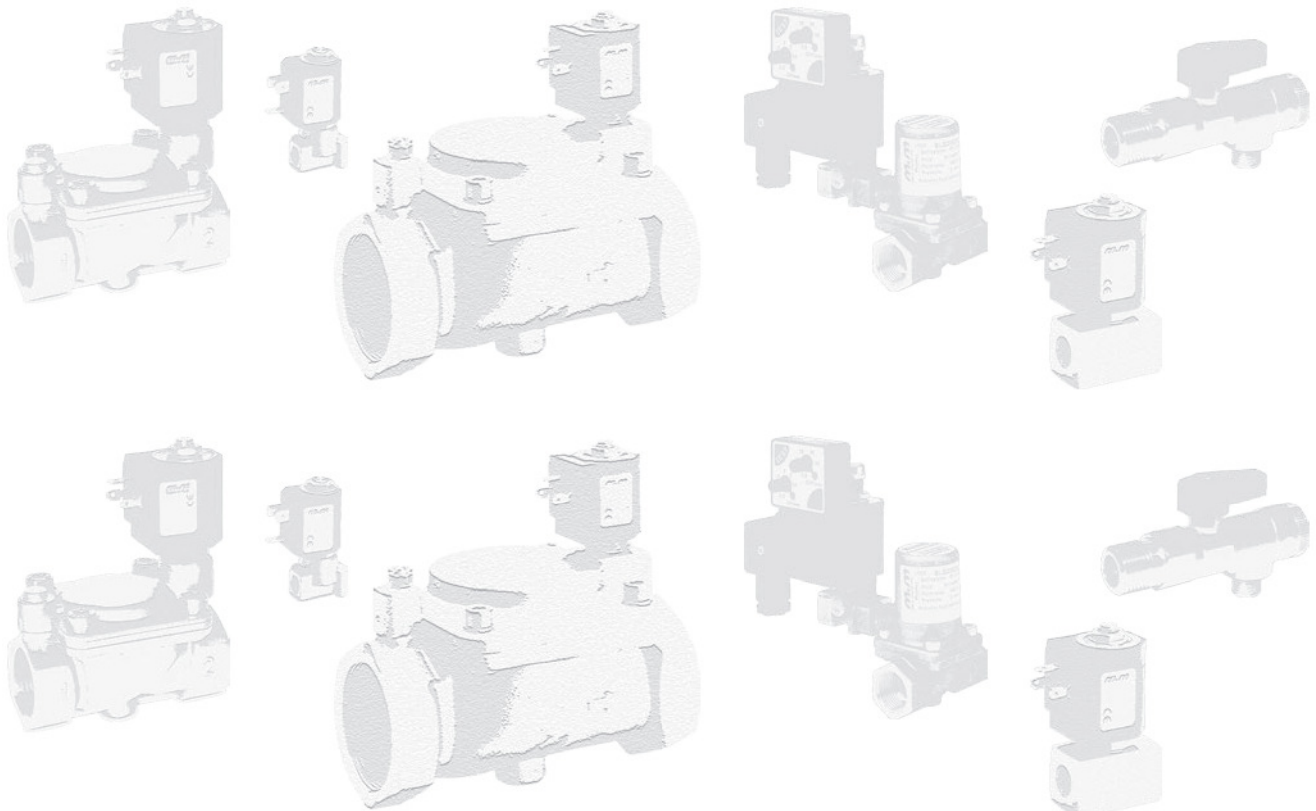
D249 - FKM seal, NC -

Seal material: FKM
 Coil power: AC 18va (holding)
 AC 36va (inrush)
 DC 14w

OPTIONS

EPDM seal, temperature max. 120°C (e.g. code D249DEF)

* Minimum batch may be required

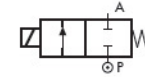


2/2 WAY DIRECT ACTING SOLENOID VALVE, G 1/4" ÷ G 1/2"

COMMON FEATURES

Body material: brass (CW617N EN 12165)
 Operator material: stainless steel
 Protection class: IP 65 (with connector and gasket)

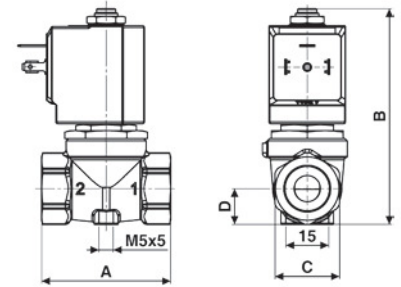
TYPE: D237/238/239



Normally Closed



DIMENSIONS & WEIGHTS		D237	D238	D239
G connection	[ISO 228]	1/4"	3/8"	1/2"
A	[mm]	54	54	54
B	[mm]	89	89	89
C	[mm]	Hex 27	Hex 27	Hex 27
D	[mm]	15	15	15
weight	[kg]	0.45	0.4	0.4



Flow direction overseat 1 → 2

VALVE	nominal Ø	flow rate Kvs	OPD			COILS	
			min.	max. AC	max. DC	code	[Volts/Hz]
code	[mm]	[l/min]	[barg]	[barg]	[barg]	code	[Volts/Hz]
D237DVU	10.5	21	0	0.4	0.2	7250	24v DC
D238DVU	10.5	25	0	0.4	0.2	7200	24v 50/60Hz
D239DVU	10.5	25	0	0.4	0.2	7400	110v 50Hz - 120v 60Hz
						7600	200v 50Hz - 220v 60Hz
						7700	230v 50Hz - 240v 60Hz

D237/238/239DVU - FKM seal, NC -

Media: water, oil, air
 Media temperature: -10°C ÷ +130°C
 Ambient temperature: -10°C ÷ +50°C
 Seal material: FKM
 Coil power: AC 18va (holding)
 AC 36va (inrush)
 DC 14w

OPTIONS

NBR seal, temperature max. 90°C (e.g. code D237D8U)
EPDM seal, temperature max. 120°C (e.g. code D239DEU)

VALVE	nominal Ø	flow rate Kvs	OPD			COILS	
			min.	max. AC	max. DC	code	[Volts/Hz]
code	[mm]	[l/min]	[barg]	[barg]	[barg]	code	[Volts/Hz]
D238DVL	4.0	6	0	8	5	7250	24v DC
D238DVN	5.0	7.5	0	5	2	7200	24v 50/60Hz
D238DVP	6.0	8.5	0	3.5	1.1	7400	110v 50Hz - 120v 60Hz
D239DVH	3.0	4.5	0	17	12	7600	200v 50Hz - 220v 60Hz
D239DVL	4.0	6	0	8	5	7700	230v 50Hz - 240v 60Hz
D239DVN	5.0	7.5	0	5	2		
D239DVP	6.0	8.5	0	3.5	1.1		

D238/239 - FKM seal, NC -

Media: water, oil, air
 Media temperature: -10°C ÷ +130°C
 Ambient temperature: -10°C ÷ +50°C
 Orifice material: stainless steel (1.4305 EN 10088/AISI 303)
 Seal material: FKM
 Coil power: AC 18va (holding)
 AC 36va (inrush)
 DC 14w

OPTIONS

NBR seal, temperature max. 90°C (e.g. code D239D8P)
EPDM seal, temperature max. 120°C (e.g. code D238DEP)

NOTES

Same operator as D262/263DV-

VALVE	nominal Ø	flow rate Kvs	OPD			COILS class 'H' only	
			min.	max. AC	max. DC	code	[Volts/Hz]
code	[mm]	[l/min]	[barg]	[barg]	[barg]	code	[Volts/Hz]
D238DLH	3.0	4.5	0	9	8	7251	24v DC
D238DLN	5.0	7.5	0	5	2	7201	24v 50/60Hz
D239DLI	3.5	5.0	0	9	5	7401	110v 50Hz - 120v 60Hz
						7601	200v 50Hz - 220v 60Hz
						7701	230v 50Hz - 240v 60Hz

D238/239 - FILLED PTFE seal, NC -

Media: steam
 Media temperature: -10°C ÷ +180°C
 Ambient temperature: -10°C ÷ +70°C
 Orifice material: stainless steel (1.4305 EN 10088/AISI 303)
 Seal material: Sigodur (filled PTFE)
 Coil power: AC 18va (holding)
 AC 36va (inrush)
 DC 14w

NOTES

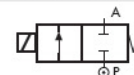
Seamless tube as standard
 Same operator as D262/263DL-

2/2 WAY DIRECT ACTING SOLENOID VALVE, FLANGE 32x32

COMMON FEATURES

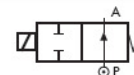
- Body material: brass (CW617N EN 12165)
- Orifice material: stainless steel (1.4305 EN 10088/AISI 303)
- Operator material: stainless steel
- Protection class: IP 65 (with connector and gasket)

TYPE: D201



Normally Closed

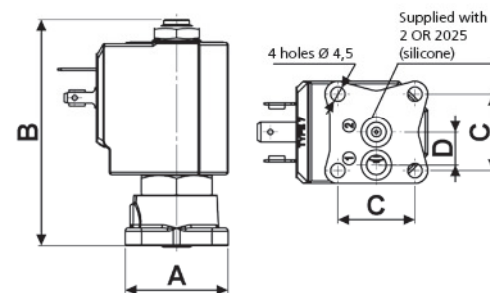
TYPE: RD201



Normally Open



DIMENSIONS & WEIGHTS		D201	RD201
G connection	[ISO 228G]	/	/
A	[mm]	∅ 32	∅ 32
B	[mm]	70.6	68.4
C	[mm]	24	24
D	[mm]	10.25	10.25
weight	[kg]	0.25	0.3



Flow direction overseat 1 → 2

VALVE	nominal ∅	flow rate Kvs	OPD			COILS	
			min.	max. AC	max. DC	code	[Volts/Hz]
code	[mm]	[l/min]	[barg]	[barg]	[barg]	code	[Volts/Hz]
D201DVC	1.5	1.3	0	24	24	7250	24v DC
D201DVE	2.0	2.2	0	20	20	7200	24v 50/60Hz
D201DVG	2.5	3.4	0	18	18	7400	110v 50Hz - 120v 60Hz
D201DVH	3.0	4.5	0	15	10	7600	200v 50Hz - 220v 60Hz
						7700	230v 50Hz - 240v 60Hz

D201 - FKM seal, NC -

- Media: water, oil, air
- Media temperature: -10°C ÷ +130°C
- Ambient temperature: -10°C ÷ +50°C
- Seal material: foodgrade FKM
- Coil power: AC 18va (holding)
AC 36va (inrush)
DC 14w

OPTIONS

- EPDM seal, temperature max. 120°C (e.g. code D201DEC)
- Manual override (e.g. code D201DVGM)

VALVE	nominal ∅	flow rate Kvs	OPD			COILS class 'H' only	
			min.	max. AC	max. DC	code	[Volts/Hz]
code	[mm]	[l/min]	[barg]	[barg]	[barg]	code	[Volts/Hz]
RD201DVC	1.5	1.3	0	24	24	7251	24v DC
RD201DVG	2.5	3.4	0	16	16	7201	24v 50/60Hz
RD201DVH	3.0	4.5	0	10	10	7401	110v 50Hz - 120v 60Hz
						7601	200v 50Hz - 220v 60Hz
						7701	230v 50Hz - 240v 60Hz

RD201 - FKM seal, NO -

- Media: water, oil, air
- Media temperature: -10°C ÷ +130°C
- Ambient temperature: -10°C ÷ +50°C
- Seal material: foodgrade FKM
- Coil power: AC 18va (holding)
AC 36va (inrush)
DC 14w

OPTIONS

- EPDM seal, temperature max. 120°C (e.g. code RD201DEG)

VALVE	nominal ∅	flow rate Kvs	OPD			COILS class 'H' only	
			min.	max. AC	max. DC	code	[Volts/Hz]
code	[mm]	[l/min]	[barg]	[barg]	[barg]	code	[Volts/Hz]
RD201DRC	1.5	1.3	0	55	55	7251	24v DC
RD201DRE	2.0	2.2	0	25	25	7201	24v 50/60Hz
RD201DRH	3.0	4.5	0	10	10	7401	110v 50Hz - 120v 60Hz
						7601	200v 50Hz - 220v 60Hz
						7701	230v 50Hz - 240v 60Hz

RD201 - RUBY seal, NO -

- Media[Ⓢ]: water, oil, liquids
- Media temperature: -10°C ÷ +130°C
- Ambient temperature: -10°C ÷ +50°C
- Seal material: Ruby
- Coil power: AC 18va (holding)
AC 36va (inrush)
DC 14w

NOTES

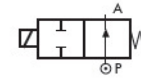
- Ⓢ Not 100% leak-proof when used with air/gases. Approximate leak rate is 1,5 ml/min at max. OPD

2/2 WAY DIRECT ACTING SOLENOID VALVE, G 1/8"

COMMON FEATURES

- Media: water, oil, air
- Media temperature: $-10^{\circ}\text{C} \div +130^{\circ}\text{C}$
- Ambient temperature: $-10^{\circ}\text{C} \div +50^{\circ}\text{C}$
- Body material: brass (CW617N EN 12165)
- Operator material: stainless steel
- Protection class: IP 65 (with connector and gasket)

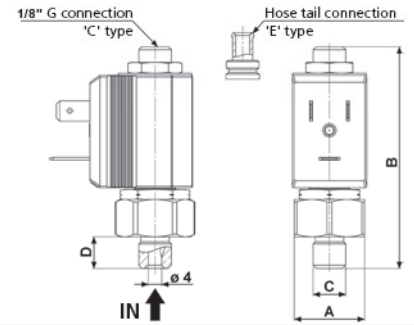
TYPE: RB214



Normally Open



DIMENSIONS & WEIGHTS		RB214
G connection	[ISO 228]	1/8"
A	[mm]	21
B	[mm]	66.5
C	[mm]	1/8"
D	[mm]	9.5
weight	[kg]	0.06



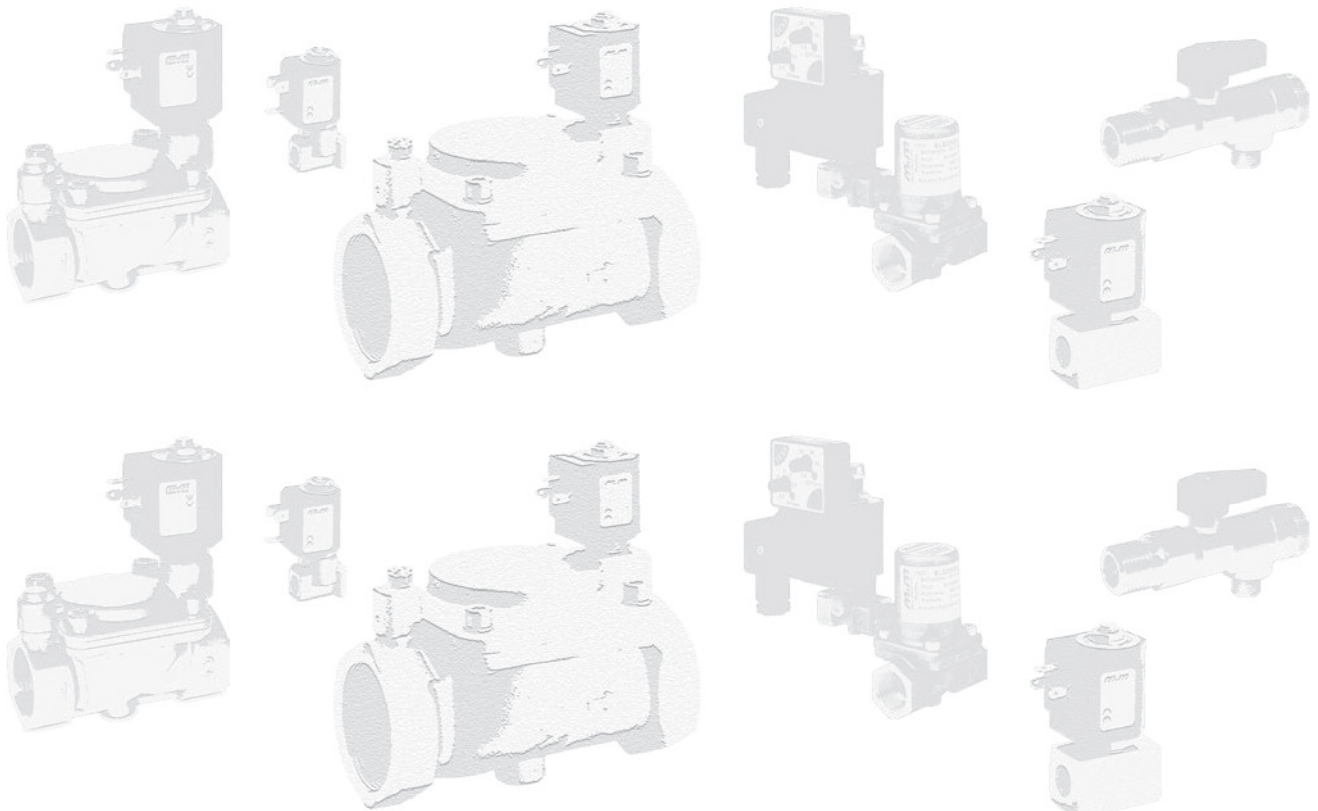
VALVE	nominal \varnothing	flow rate Kvs	OPD			COILS	
			min.	max. AC	max. DC	code	[Volts/Hz]
code	[mm]	[l/min]	[barg]	[barg]	[barg]	code	[Volts/Hz]
RB214CVD	1.7	1.2	0	14	14	2250	24v DC
						2200	24v 50/60Hz
						2400	110v 50Hz - 120v 60Hz
						2600	200v 50Hz - 220v 60Hz
						2700	230v 50Hz - 240v 60Hz

RB214 - FKM seal, NO -

- Seal material: foodgrade FKM
- Coil power: AC 10va (holding)
AC 16va (inrush)
DC 7w

OPTIONS

- Armature tube with hose tail \varnothing 6 mm (e.g. code RB214EVD)
- EPDM seal, temperature max. 120°C (e.g. code RB214CED)

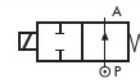


2/2 WAY DIRECT ACTING SOLENOID VALVE, G 1/8"

COMMON FEATURES

Media: water, oil, air
 Media temperature: -10°C ÷ +130°C
 Ambient temperature: -10°C ÷ +50°C
 Body material: brass (CW617N EN 12165)
 Operator material: stainless steel
 Protection class: IP 65 (with connector and gasket)

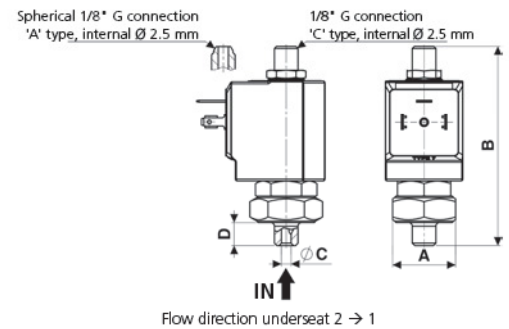
TYPE: RD213



Normally Open



DIMENSIONS & WEIGHTS		RD213
G connection	[ISO 228]	1/8"
A	[mm]	Hex 26
B	[mm]	82.5
C	[mm]	4
D	[mm]	9.5
weight	[kg]	0.1



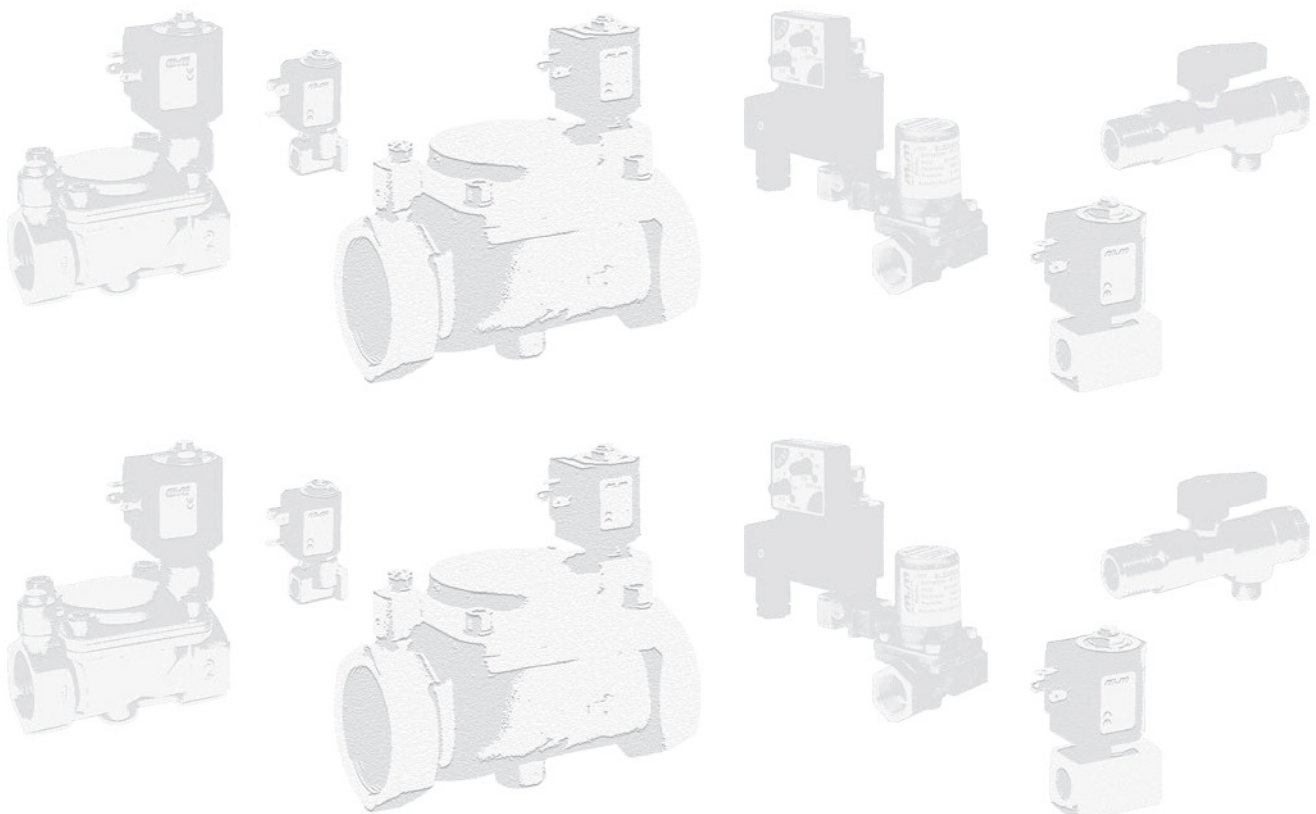
VALVE	nominal Ø	flow rate Kvs	OPD			COILS	
			min.	max. AC	max. DC	code	[Volts/Hz]
code	[mm]	[l/min]	[barg]	[barg]	[barg]	code	[Volts/Hz]
RD213CVG	2.5	2.4	0	16	16	7250	24v DC
						7200	24v 50/60Hz
						7400	110v 50Hz - 120v 60Hz
						7600	200v 50Hz - 220v 60Hz
						7700	230v 50Hz - 240v 60Hz

RD213 - FKM seal, NO -

Seal material: foodgrade FKM
 Coil power: AC 18va (holding)
 AC 36va (inrush)
 DC 14w

OPTIONS

EPDM seal, temperature max. 120°C (e.g. code RD213CEG)
 Armature tube with spherical 1/8" G connection (e.g. code RD213ΔVG)

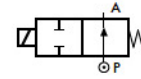


2/2 WAY DIRECT ACTING SOLENOID VALVE, G 1/4"

COMMON FEATURES

Body material: brass (CW617N EN 12165)
 Orifice material: stainless steel (1.4305 EN 10088/AISI 303)
 Operator material: stainless steel
 Protection class: IP 65 (with connector and gasket)

TYPE: RD236

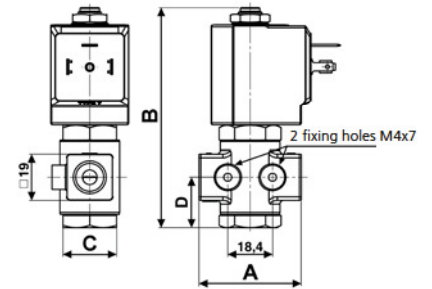


Normally Open



DIMENSIONS & WEIGHTS		RD236
G connection	[ISO 228]	1/4"
A	[mm]	47 *
B	[mm]	91
C	[mm]	H _{ex} 22
D	[mm]	20.75
weight	[kg]	0.25

* Since July 2014



Flow direction overseat 1 → 2

VALVE	nominal Ø	flow rate Kvs	OPD			COILS	
			min.	max. AC	max. DC	code	[Volts/Hz]
code	[mm]	[l/min]	[barg]	[barg]	[barg]	code	[Volts/Hz]
RD236DVA	1.0	0.5	0	25	25	7250	24v DC
RD236DVC	1.5	1.3	0	20	20	7200	24v 50/60Hz
RD236DVE	2.0	2.0	0	18	18	7400	110v 50Hz - 120v 60Hz
RD236DVG	2.5	2.8	0	15	15	7600	200v 50Hz - 220v 60Hz
RD236DVH	3.0	3.5	0	12	12	7700	230v 50Hz - 240v 60Hz
RD236DVM	4.5	5.5	0	5	5		
RD236DVP	6.0	8.5	0	2	2		

RD236 - FKM seal, NO -

Media: water, oil, air
 Media temperature: -10°C ÷ +130°C
 Ambient temperature: -10°C ÷ +50°C
 Seal material: foodgrade FKM
 Coil power: AC 18va (holding)
 AC 36va (inrush)
 DC 14w

VALVE	nominal Ø	flow rate Kvs	OPD			COILS	
			min.	max. AC	max. DC	code	[Volts/Hz]
code	[mm]	[l/min]	[barg]	[barg]	[barg]	code	[Volts/Hz]
RD236DLA	1.0	0.5	0	9	9	7251	24v DC
RD236DLC	1.5	1.3	0	9	9	7201	24v 50/60Hz
RD236DLE	2.0	2.0	0	9	9	7401	110v 50Hz - 120v 60Hz
RD236DLH	3.0	3.5	0	9	9	7601	200v 50Hz - 220v 60Hz
						7701	230v 50Hz - 240v 60Hz

RD236 - FILLED PTFE seal, NO -

Media: steam
 Media temperature: -10°C ÷ +180°C
 Ambient temperature: -10°C ÷ +70°C
 Seal material: Sigodur (filled PTFE)
 Coil power: AC 18va (holding)
 AC 36va (inrush)
 DC 14w

NOTES

Seamless tube as standard

VALVE	nominal Ø	flow rate Kvs	OPD			COILS	
			min.	max. AC	max. DC	code	[Volts/Hz]
code	[mm]	[l/min]	[barg]	[barg]	[barg]	code	[Volts/Hz]
RD236DRA1	1.0	0.5	0	180	180	7221	24v DC
RD236DRC1	1.5	1.3	0	150	150	72K1	24v 50/60Hz
RD236DRE1	2.0	2.0	0	60	60	74K1	110v 50Hz - 120v 60Hz
RD236DRG1	2.5	2.8	0	37	37	77K1	230v 50Hz - 240v 60Hz
RD236DRH1	3.0	3.5	0	28	28		

RD236 - RUBY seal, NO -

Media: water, oil, liquids
 Media temperature: -10°C ÷ +130°C
 Ambient temperature: -10°C ÷ +50°C
 Seal material: Ruby
 Coil power: AC 25va (holding)
 AC 50va (inrush)
 DC 22w

NOTES

Seamless tube as standard

⚠ Not 100% leak-proof when used with air/gases. Approximate leak rate is 1,5 ml/min at max. OPD.

GENERAL PURPOSE

STEAM

HIGH PRESSURE